

Control Circuit Connections

Outdoor, NEMA 4 (with screw cap)
 20 Amp Load Breaking
 600 Volts AC Max.
 250 Volts DC



| POLES/ WIRES | FEMALE RECEPTACLE STYLE SKWR | MALE PLUG STYLE SKWP | FEMALE CONNECTOR STYLE SKWC | MALE MOTOR PLUG STYLE SKWM | CABLE BUSHING HOLE ID |
|-----------------|------------------------------------|-------------------------|-----------------------------------|----------------------------------|-----------------------------|
| 2P3W | SKWR3G | SKWP3G | SKWC3G | SKWM3G | 5/8" |
| 3P4W | SKWR4G | SKWP4G | SKWC4G | SKWM4G | 5/8" |
| 4P5W | SKWR5G | SKWP5G | SKWC5G | SKWM5G | 3/4" |
| 5P6W | SKWR6G | SKWP6G | SKWC6G | SKWM6G | 3/4" |
| 6P7W | SKWR7G | SKWP7G | SKWC7G | SKWM7G | 3/4" |
| 7P8W | SKWR8G | SKWP8G | SKWC8G | SKWM8G | 7/8" |
| 8P9W | SKWR9G | SKWP9G | SKWC9G | SKWM9G | 7/8" |
| 9P10W | SKWR10G | SKWP10G | SKWC10G | SKWM10G | 1" |
| 10P11W | SKWR11G | SKWP11G | SKWC11G | SKWM11G | 1" |
| 11P12W | SKWR12XG | SKWP12XG | SKWC12XG | SKWM12XG | 1 1/8" |

Note: SKWM male inlet accommodates SKWC Connector (female). Plugs and connectors can be furnished with adapters to accommodate rigid conduit or standard connectors for armored and non-metallic cable or flexible conduit. See [page H-443](#).

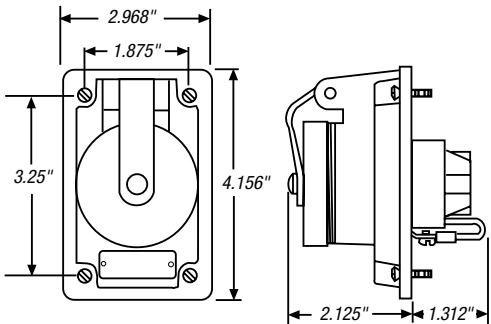
Specifications

- Receptacle Housing: Type SKWR — Cast aluminum, corrosion-resistant copper-free alloy. Furnished with Neoprene gasket and stainless steel 6-32 mounting screws.
- Plug and Connector Housing: Heavy-cast aluminum, corrosion-resistant copper-free alloy, epoxy powder-coat finish; furnished with heavy-cast cable clamp and cable bushing.
- Conduit Boxes: Cast boxes for above receptacles are on [page H-440](#). Can be furnished with single-gang outlet box at additional cost. When required, add suffix catalog number of box to catalog number of receptacle.
- Cable Bushing: Oil-resistant, Neoprene strain relief cable bushing regularly furnished with hole size as listed. Other hole sizes available at no extra cost if specified on order. See [page H-443](#) for additional sizes.
- Protective Caps: Waterproof caps complete with mounting cable
 - Male Devices **Cat. No. F26874C** (Cup Cap)
 - Female Devices **Cat. No. F04077** (Screw Cap)
- Repair Kits: Pins/Sleeves Repair — Components for rebuild of 2-4 interiors
 - Male Devices **Cat. No. SKX12MW**
 - Female Devices **Cat. No. SKX12FA**

Control Circuit Connections

Receptacle

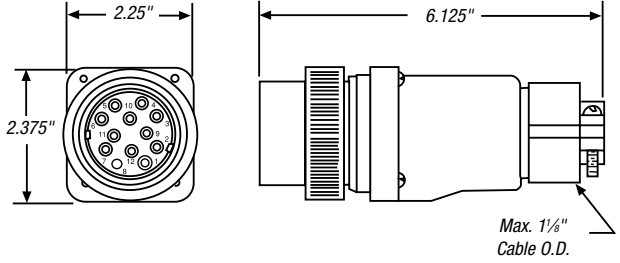
Style SKWR



Note: All require FD or DSFD series box mounting.

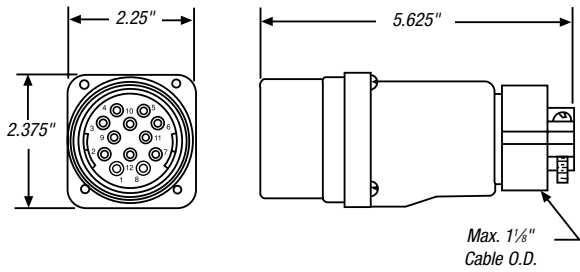
Plug

Style SKWP



Connector

Style SKWC



Motor Plug

Style SKWM

